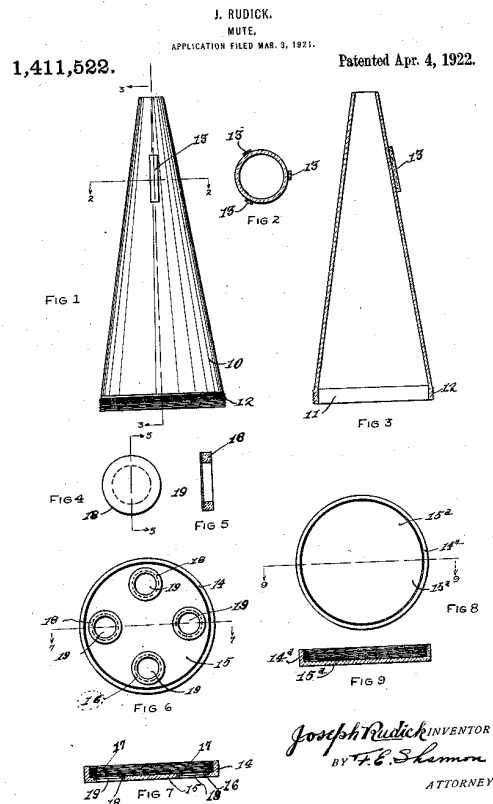
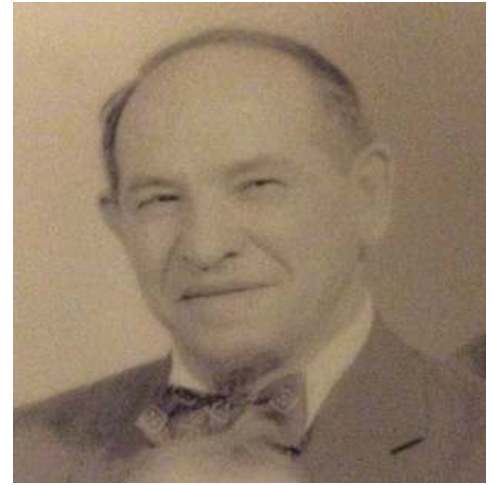


Wonder-Tone Mute

Joseph Rudick, Akron, Ohio

- 1886 Joseph Rudick is born in Moinesti, Romania on May 6.
- 1907 Joseph arrives in New York on October 16. (nat. paper)
- 1918 Merchant in Akron, Ohio (WWI draft)
- 1920 Roomer in Akron working as a superintendent for a fur store. Fellow roomer, Herbert Theism, is a super for a rubber factory.
- 1921 Rudick files for a patent on a trumpet mute on March 3.
- 1922 Rudick receives patent #1,411,522 for his mute on April 4. It is made from hard rubber and has removable ends that are solid or perforated. The Wonder-Tone is invented.



- 1927 Rudick's Music & Jewellery Store, 143-145 S. Main St, Akron
- 1930 Proprietor of jewellery store. (census)
- 1940 Proprietor of jewelrey store. (census)
- 1963 Rudick dies in N. Miami Beach, FL on March 22.
- 2021 Example here found with 1925 Buescher trumpet.

